

STRAIGHT RECTANGULAR SILENCER SUBMITTAL

eNoise Control

297 North 9th Street, Noblesville, IN 46060
Toll Free Phone: 888.213.4711 Fax: 317.774.1911
eNoiseControl.com

PROJECT DETAILS

Project Number: _____
Project Name: _____
Customer: _____
Project Date: _____
Revision No: _____
Revision Date: _____

SILENCER DIMENSIONS

Tag: SA-1
Qty: 1
System: NA
Width: 120
Height: 90
Length: 84
Model: _____
Weight (lb): 2112
VRS Type: 0.5
Unit Size: 22.5

Face Velocity (fpm):

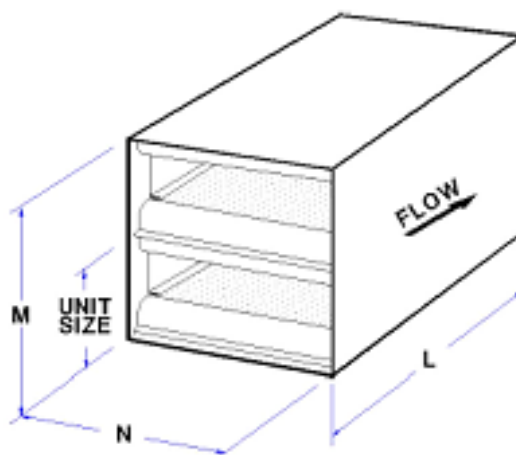
533

Dynamic Insertion Loss

| Hz | dB |
|-------|----|
| 63: | 14 |
| 125: | 22 |
| 250: | 34 |
| 500: | 49 |
| 1000: | 50 |
| 2000: | 51 |
| 4000: | 28 |
| 8000: | 21 |

Airflow Generated Noise

| Hz | dB |
|-------|----|
| 63: | 61 |
| 125: | 56 |
| 250: | 49 |
| 500: | 47 |
| 1000: | 48 |
| 2000: | 49 |
| 4000: | 47 |
| 8000: | 45 |



- Silencer dimensions to be confirmed by customer prior to fabrication.
- The installed silencer pressure drop may be higher due to system effects caused by the location of the duct elements upstream and downstream of the silencer.
- Tolerances are $\pm 1/8"$ on all silencer units. If silencers are banked or paired the compound tolerance needs to be allotted by the contractor.
- Silencer acoustic and aerodynamic performance data are in accordance with ASTM E 477-99
- Flame spread/smoke developed indexes in accordance with ASTM C 1071-05
- Tested data tolerances are in accordance with AMCA 1011-03

SILENCER CONSTRUCTION OPTIONS

| | |
|------------------------------|-----------------------------|
| Casing Thickness: | 22 gauge |
| Perforated Lining Thickness: | 22 gauge |
| Material: | Galvanized Steel |
| Acoustic Media: | Fiberglass (standard) |
| Media Covering: | None |
| Inlet Flange: | 1 in slip flange (standard) |
| Outlet Flange: | 1 in slip flange (standard) |

Notes: