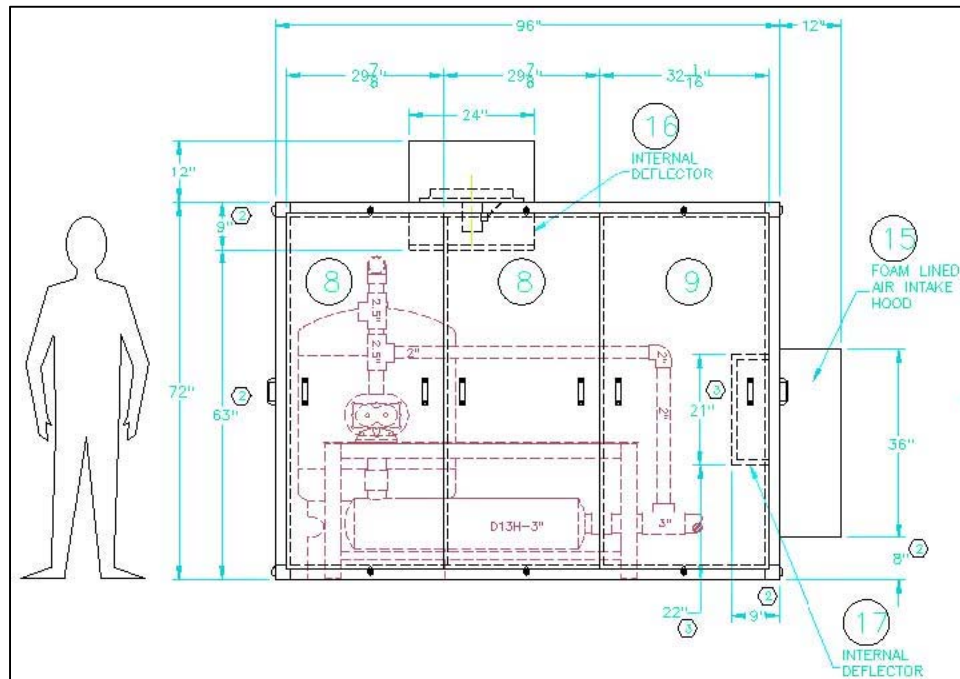
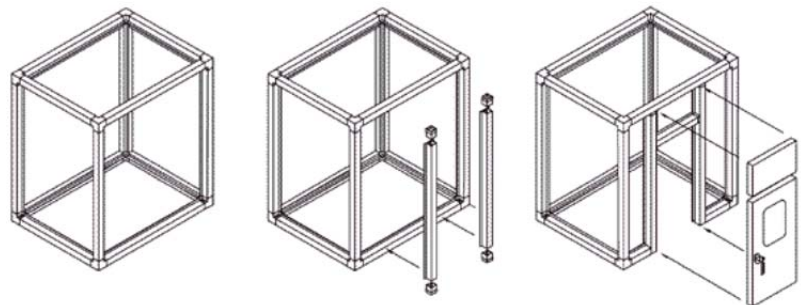


eNoise Control Machine/Test Sound Enclosures are the solution for noisy equipment where space and access is at a premium. The Model MSE-4 sound enclosure is constructed of a free standing, aluminum extruded frame and corner fittings. Resting within the frame are 4" thick, 18 gage steel acoustical wall and roof panels. Because the frame is self-supporting, all wall and roof panels are removable with quarter turn fasteners providing unrestricted access to equipment for maintenance and repair. This space saving design feature eliminates the need for areas within the enclosure for personnel. The sound enclosure walls and roof can be placed within inches of the equipment, saving valuable floor space without restricting access.



Features:

- Free Standing Framework
- Complete Panel Removability
- Easily Assembled
- Doors, Windows, and Silenced Ventilation available
- Designed and Built for your Application

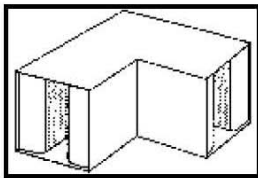


Acoustic Performance:

Table 1 Sound Absorption Coefficients per ASTM C-423-66							
Center Frequency (Hz)	125	250	500	1000	2000	4000	NRC
2"	0.15	0.66	1.07	1.06	0.97	0.86	0.95
4"	0.60	1.13	1.12	1.09	1.03	0.91	1.00

Table 2 Sound Transmission Loss per ASTM E90-70							
Center Frequency (Hz)	125	250	500	1000	2000	4000	STC
2"	17	23	34	47	55	57	37
4"	21	28	39	48	56	58	40

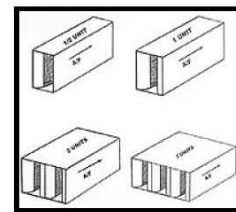
Ventilation Options:



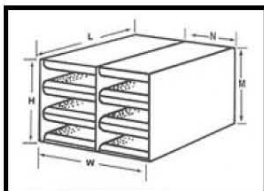
Elbow Silencer



Exhaust Fan for Sound Enclosure



Rectangular Silencers



Silencer Bank



Acoustic Louver



Acoustic Hood