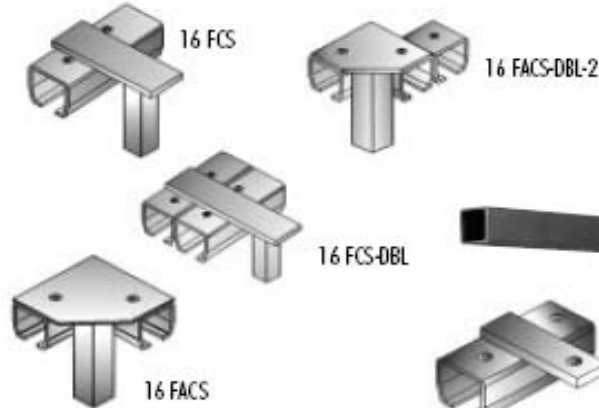
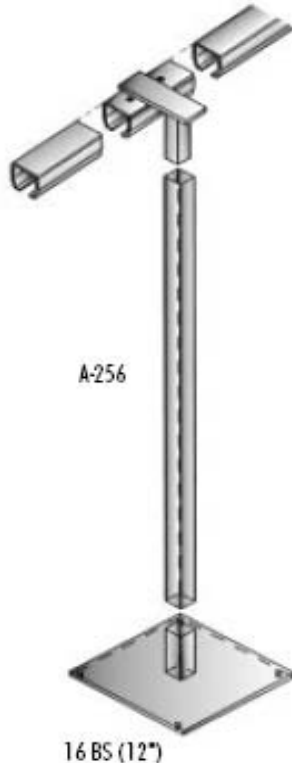


Floor Mounted Systems

- Designed to create a free-standing Acoustical Curtain Enclosure



Two Types of Floor Bases

- 12" square, 1/4" thick steel plate
- 6" square, 3/16" thick steel plate

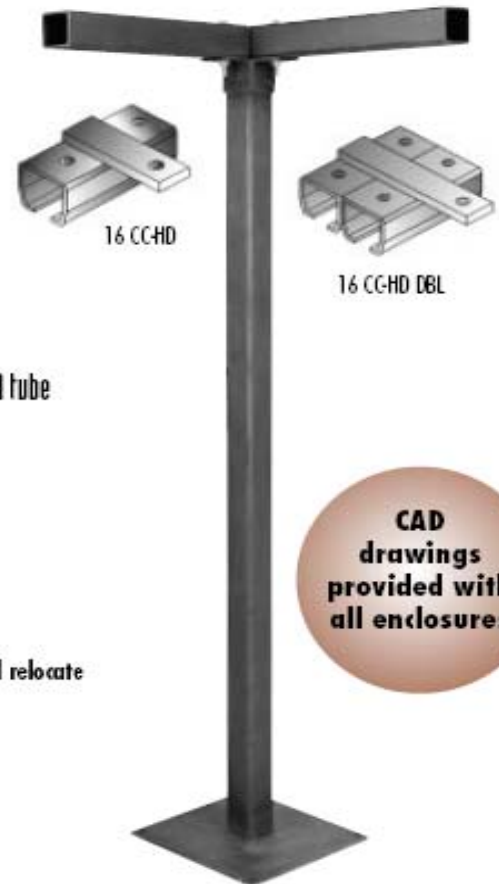
Floor columns 1 1/4" square, 12 gauge steel tube

- Telescopes over tubes on bases and connectors
- Heights up to 12 feet

Floor Mount Track Connectors

- 12 gauge, zinc plated
- Corner, middle, curved connectors
- Single track or double track systems

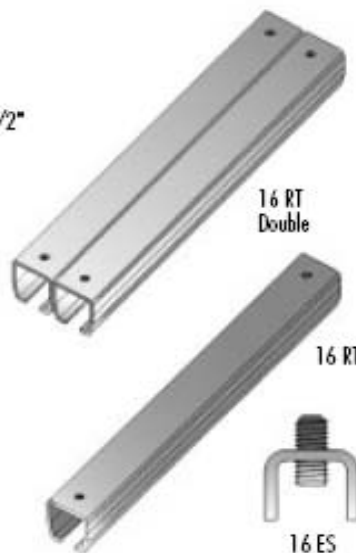
Easy to assemble, enlarge, disassemble and relocate



CAD drawings provided with all enclosures

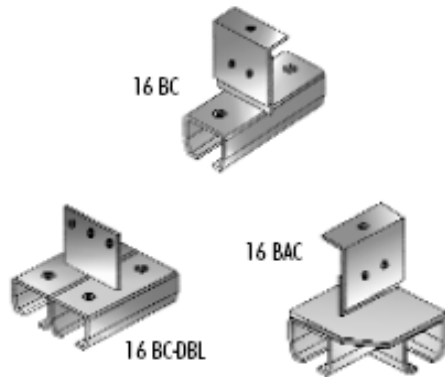
Roller Track and Roller Hooks

- For all types of systems-floor, suspended, ceiling, wall mounted or "HD"
- 16 gauge hot dipped galvanized steel
- Single or double track
- Track slides inside any track connector
- Curved track: two-foot radius, 90° single or double
- Accepts 16 NR-1 1/2 (nylon rollers) and 16 SR-1 (steel rollers)
- Two-wheel rollers ride inside 16 RT roller track
- 16 ES end stops



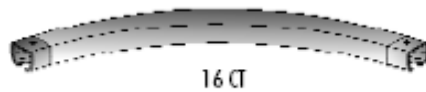
Heavy Duty Systems

- For large or tall Acoustical Curtain Enclosures
- Greater spans between columns
- 2 1/2" square steel tube, 3/16" thick
- Durable Painted finish
- Floor base, column and cross-beam connector angle all welded construction
- Curtain panels can be bolted to cross beams or suspended from 16 RT track



Suspended Systems

- ◆ 12 gauge, zinc plated
- ◆ Accepts up to 1/2" diameter threaded rod
- ◆ Corner, middle and curved connectors
- ◆ Single or double track systems
- ◆ Also utilized to attach to I-beams
- ◆ Economic method of installing Acoustical Curtain Systems



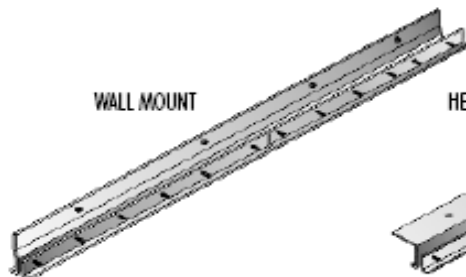
- ◆ Curved track allows for maximum accessibility
- ◆ Available for floor, suspended, ceiling or wall mounted systems
- ◆ Single or double

Stationary Clear Vinyl Strip Door Hardware

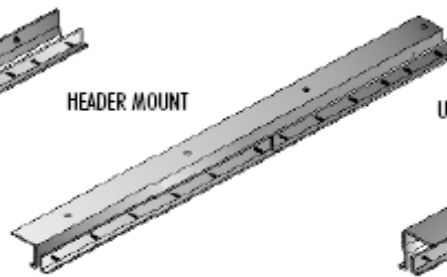
- ◆ Available in three styles: wall mount, header mount or universal mount

- ◆ Includes one-inch studs 2" on center, clamping plates and lock nuts

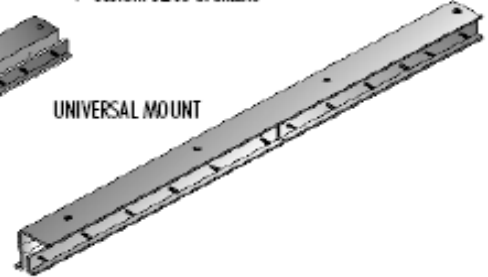
- ◆ Galvanized steel, aluminum or stainless steel
- ◆ 8' or 10' lengths
- ◆ Custom sizes available



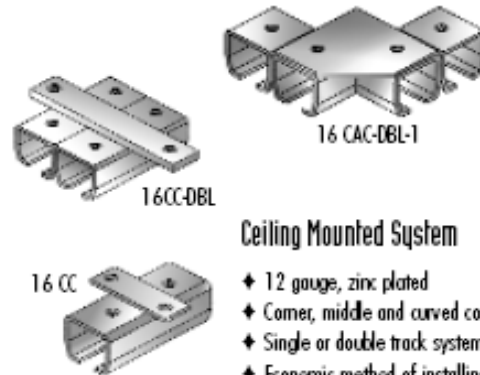
WALL MOUNT



HEADER MOUNT

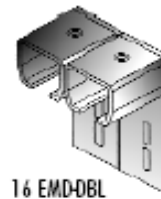


UNIVERSAL MOUNT



Ceiling Mounted System

- ◆ 12 gauge, zinc plated
- ◆ Corner, middle and curved connectors
- ◆ Single or double track systems
- ◆ Economic method of installing Acoustical Curtain Systems



16 EMD-DBL

Wall Mounted Systems

- ◆ 12 gauge, zinc plated
- ◆ End or flush mounted connectors
- ◆ Single or double track systems
- ◆ Often used in conjunction with floor mounted or suspended systems



16 EMD



16 WMD



16 WMU