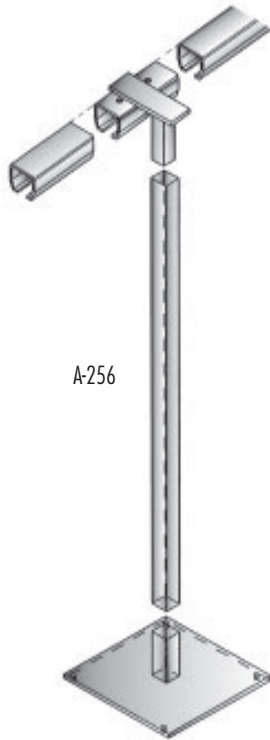
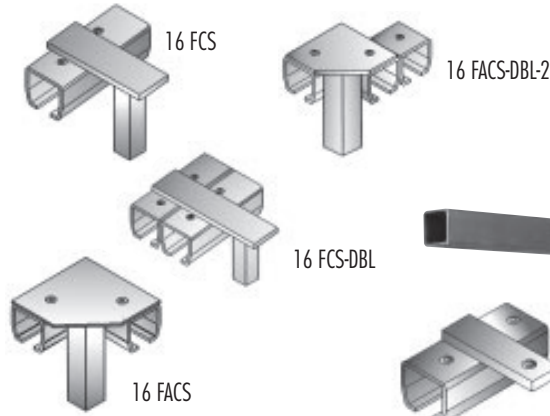


Floor Mounted Systems

- ◆ Designed to create a free-standing Acoustical Curtain Enclosure



16 BS (12")



Two Types of Floor Bases

- ◆ 12" square, 1/4" thick steel plate
- ◆ 6" square, 3/16" thick steel plate

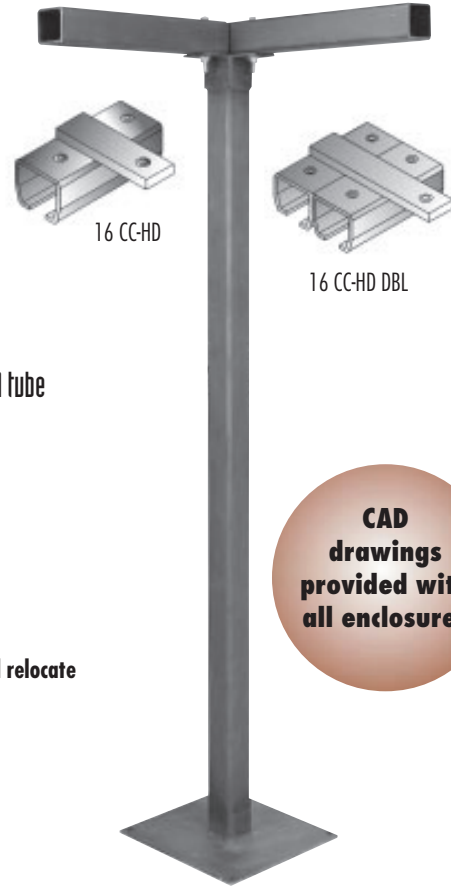
Floor columns 1 1/4" square, 12 gauge steel tube

- ◆ Telescopes over tubes on bases and connectors
- ◆ Heights up to 12 feet

Floor Mount Track Connectors

- ◆ 12 gauge, zinc plated
- ◆ Corner, middle, curved connectors
- ◆ Single track or double track systems

Easy to assemble, enlarge, disassemble and relocate



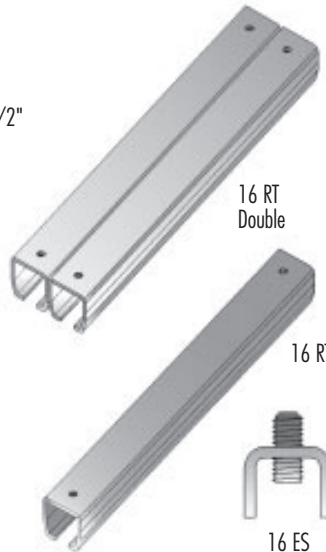
CAD drawings provided with all enclosures

Roller Track and Roller Hooks

- ◆ For all types of systems-floor, suspended, ceiling, wall mounted or "H-D"
- ◆ 16 gauge hot dipped galvanized steel
- ◆ Single or double track
- ◆ Track slides inside any track connector
- ◆ Curved track: two-foot radius, 90° single or double
- ◆ Accepts 16 NR-1 1/2 (nylon rollers) and 16 SR-1 (steel rollers)
- ◆ Two-wheel rollers ride inside 16 RT roller track
- ◆ 16 ES end stops



16 NR-1 1/2"



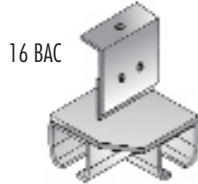
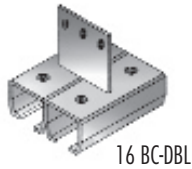
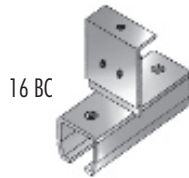
16 RT Double

16 RT

16 ES

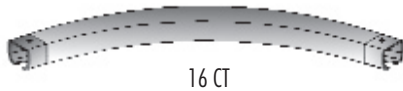
Heavy Duty Systems

- ◆ For large or tall Acoustical Curtain Enclosures
- ◆ Greater spans between columns
- ◆ 2 1/2" square steel tube, 3/16" thick
- ◆ Durable Painted finish
- ◆ Floor base, column and cross-beam connector angle all welded construction
- ◆ Curtain panels can be bolted to cross beams or suspended from 16 RT track

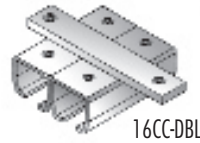


Suspended Systems

- ◆ 12 gauge, zinc plated
- ◆ Accepts up to 1/2" diameter threaded rod
- ◆ Corner, middle and curved connectors
- ◆ Single or double track systems
- ◆ Also utilized to attach to I-beams
- ◆ Economic method of installing Acoustical Curtain Systems

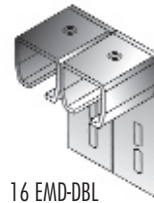


- ◆ Curved track allows for maximum accessibility
- ◆ Available for floor, suspended, ceiling or wall mounted systems
- ◆ Single or double



Ceiling Mounted System

- ◆ 12 gauge, zinc plated
- ◆ Corner, middle and curved connectors
- ◆ Single or double track systems
- ◆ Economic method of installing Acoustical Curtain Systems



Wall Mounted Systems

- ◆ 12 gauge, zinc plated
- ◆ End or flush mounted connectors
- ◆ Single or double track systems
- ◆ Often used in conjunction with floor mounted or suspended systems



Stationary Clear Vinyl Strip Door Hardware

- ◆ Available in three styles: wall mount, header mount or universal mount

- ◆ Includes one-inch studs 2" on center, clamping plates and lock nuts

- ◆ Galvanized steel, aluminum or stainless steel
- ◆ 8' or 10' lengths
- ◆ Custom sizes available

