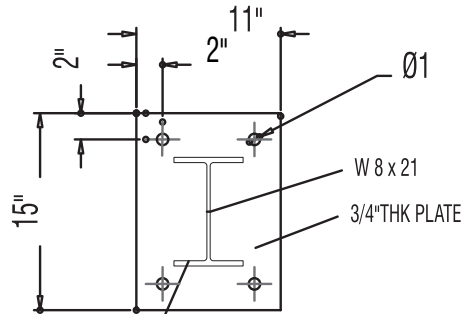


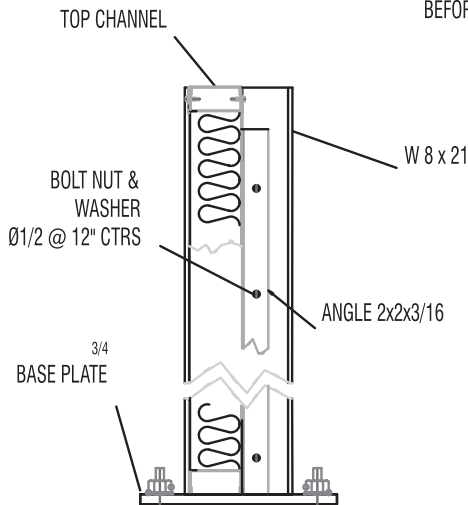
The above drawing is a representation of typical construction details and is not intended to be used without consulting with Unger Technologies' Engineering Department for your specific use.

# Barrier Wall Details

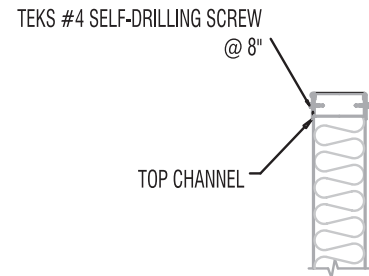


**TYPICAL BASE COLUMN**

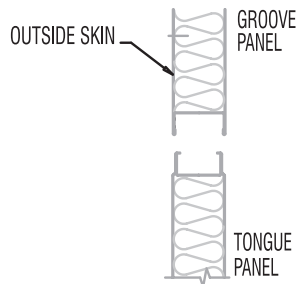
SEND BLASTED  
AND PRIME COATED  
BEFORE WELDING



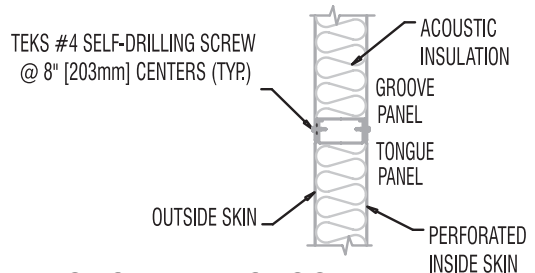
**SECTION A-A**



**TYPICAL TOP CHANNEL TO  
PANEL CONNECTION**



**TYPICAL TONGUE AND GROOVE  
PANEL CONNECTION**



*The above drawing is a representation of typical construction details and is not intended to be used without consulting with Unger Technologies' Engineering Department for your specific use.*