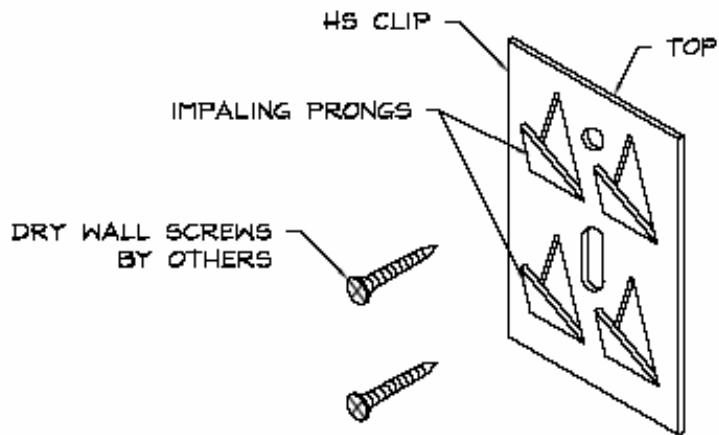
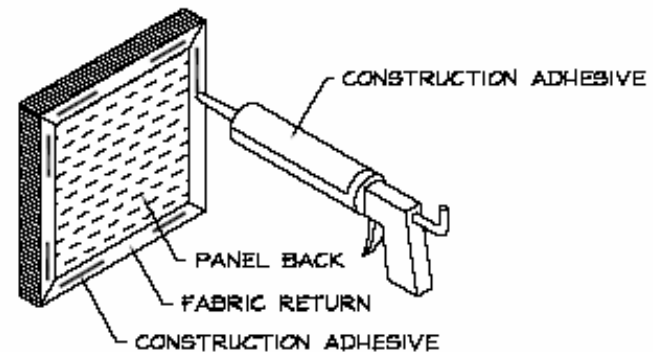


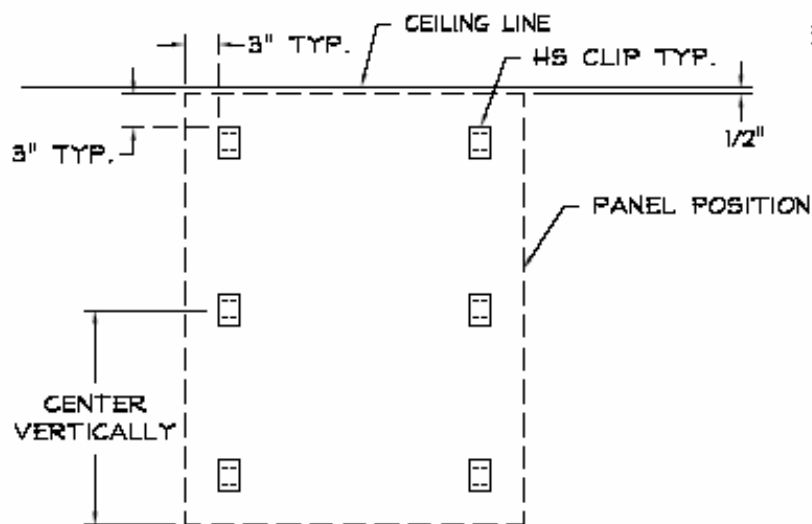
IMPAILING CLIP INSTALATION



CONSTRUCTION ADHESIVE OPTIONAL



(ADHESIVE TO BE APPLIED TO FABRIC RETURN ONLY)



CLIP PLACEMENT IS APPROXIMATE
NOTE: SEE CHART FOR TYP. NUMBER OF CLIPS PER PANEL

T-DWG

- DETERMINE WHERE PANELS ARE TO BE INSTALLED (ALLOW 1/2" GAP BETWEEN PANEL AND CEILING.)
- SCREW HS CLIPS INTO PLACE ON WALL PER DETAIL B AND CLIP CHART BELOW
- CLEAN WALL SURFACE AND APPLY CONSTRUCTION ADHESIVE TO PANEL BACK AS SHOWN IN DETAIL C (ADHESIVE TO BE APPLIED TO FABRIC RETURN ONLY)
- POSITION PANEL APPROXIMATELY 1/2" HIGHER THAN DESIRED PANEL RESTING POSITION AND IMPALE PANEL ONTO CLIPS WITH A DOWNWARD MOTION.

PANEL LENGTH	# OF CLIPS
UP TO 24"	4
24" TO 48"	4
48" TO 72"	4
72" TO 96'	6
96' TO 120'	6

NOTE: IMPALING PRONGS MAY BE BENT FURTHER TO ELIMINATE 1/2" GAP (CONSTRUCTION ADHESIVE **MUST** BE USED WHEN PRONGS ARE ADJUSTED)